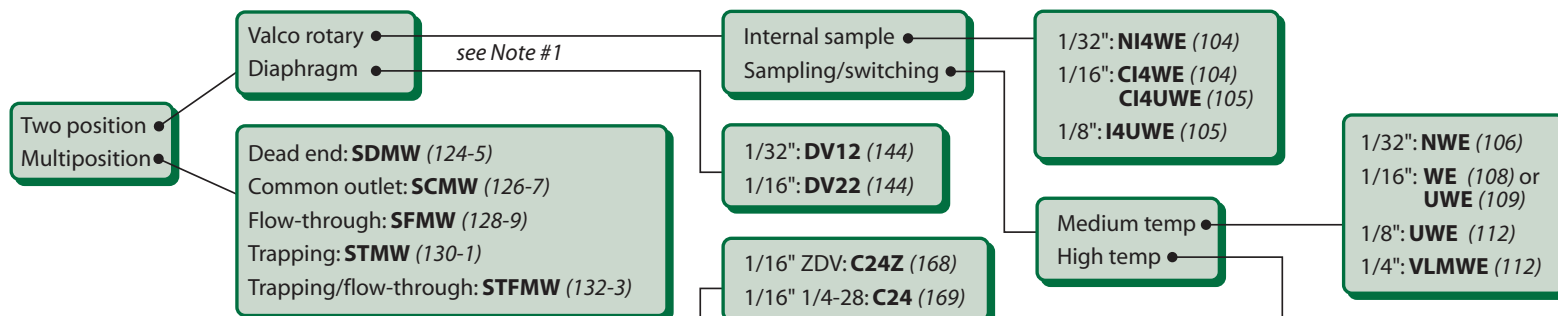


# VICI Valve Selection Flowchart

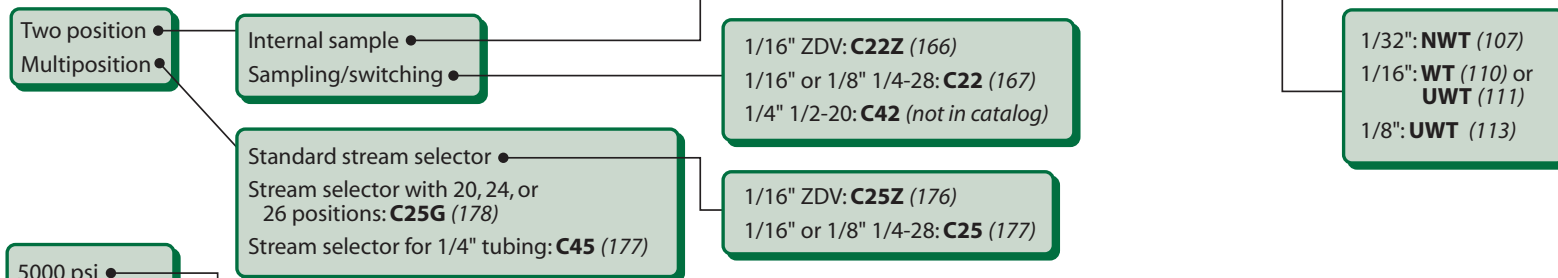
## GC

Up to 1500 psi



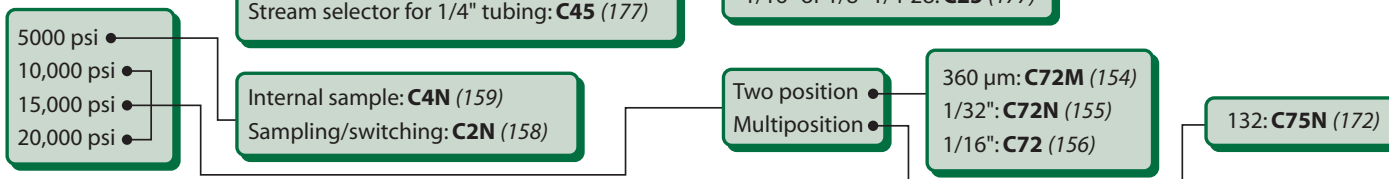
## LC, FIA, SPE

Up to 1000 psi



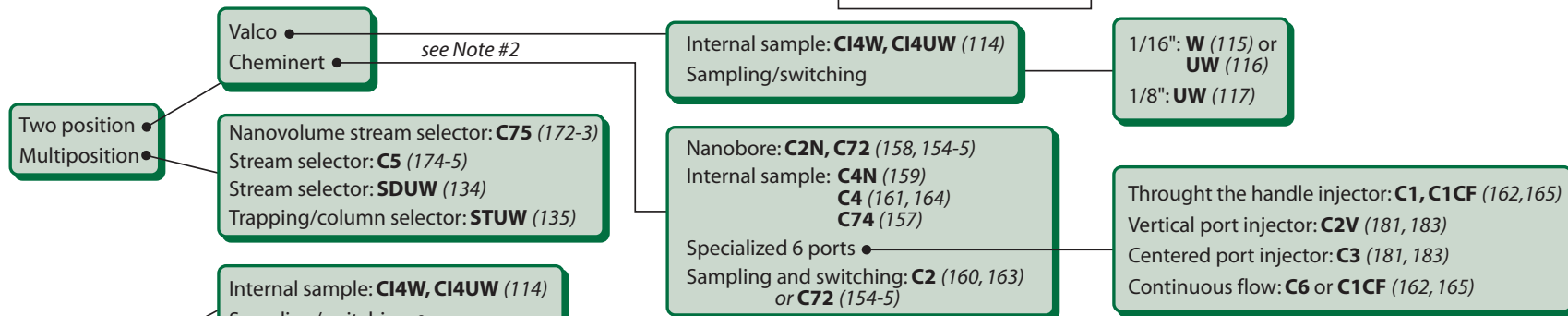
## Nanobore HPLC, UHPLC

Up to 20,000 psi



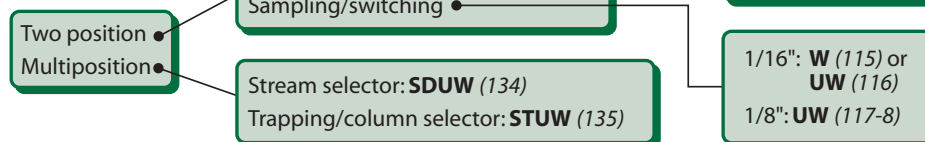
## HPLC, UHPLC

Up to 20,000 psi (with C72)



## SFE, SFC

Up to 5,000 psi



### Notes:

1. Diaphragm valves are used primarily in process applications with a high number of actuations.
2. Cheminert is the normal choice, unless a port size or sample size only offered in the Valco line is required.



© Valco Instruments Co. Inc.  
© VICI AG International

**CHROMalytic** +61(0)3 9762 2034  
**ECHnology** Pty Ltd  
Website NEW : [www.chromalytic.net.au](http://www.chromalytic.net.au) E-mail : [info@chromtech.net.au](mailto:info@chromtech.net.au) Tel: 03 9762 2034 . . . in AUSTRALIA

**Australian Distributors**  
Importers & Manufacturers  
[www.chromtech.net.au](http://www.chromtech.net.au)